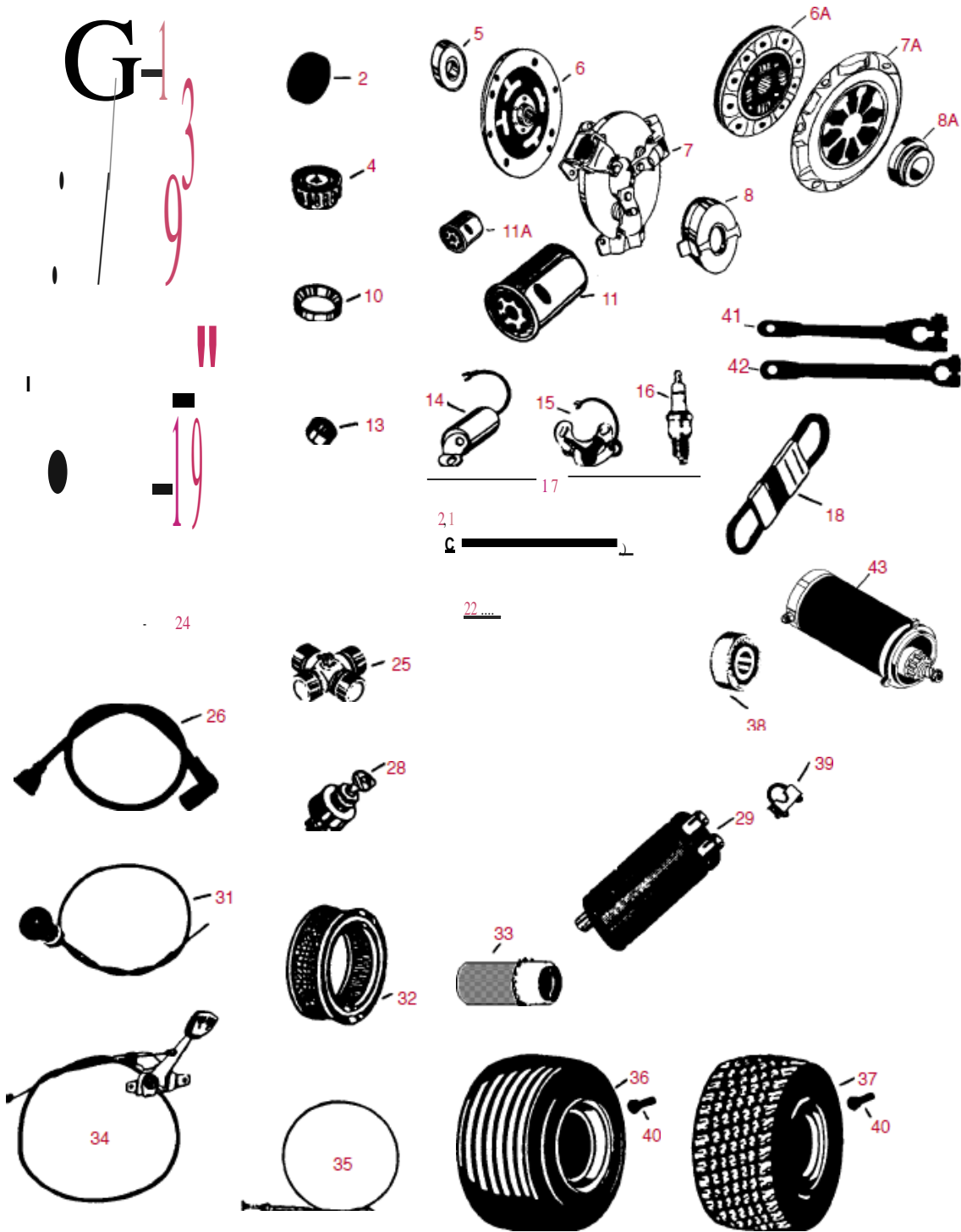


Replaces Cushman Truckster Parts

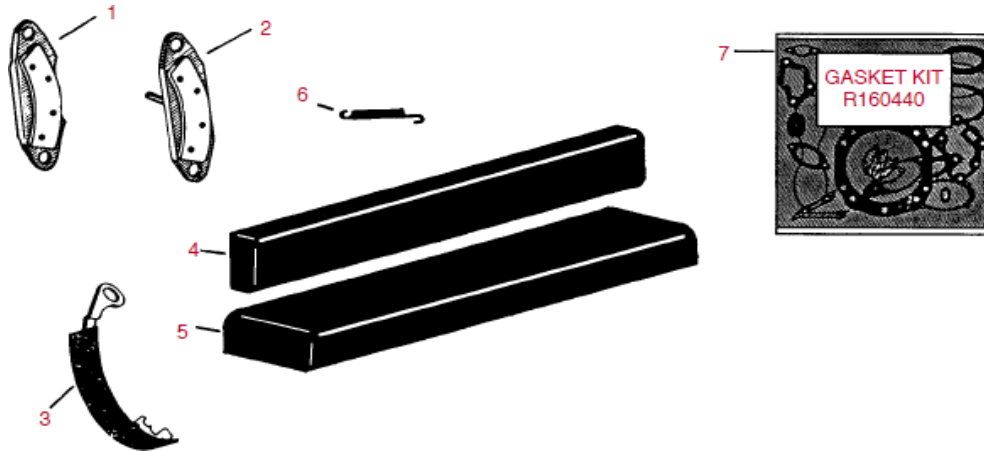


Replaces Cushman Truckster Parts

ItemNo	R&R PartNo	O.E.M PartNo	Description	Req.Qty
1	R879945	879945	R&R Solenoid	1
2	R806493	806493	R&R Rubber Mount, Engine & Transmission	4
3	R880584	880584	Use R885098	
3	R885098	885098	R&R Hour Meter	1
4	R254-78	385174	R&R Cone, Timken	A/R
4	R254-94	814473	R&R Cone, Timken	A/R
4	R254-92	815403	R&R Cone, Timken	A/R
5	R812899	812899	R&R Pilot Bearing	1
6	R812906	812906	Use R882343	
6	R882343	882343	R&R Disc Assy., Clutch, Fits 18 & 22 HP OMC Only	1
6A	R888561	888561	Use R889793	
6A	R889793	889793	R&R Disc Assy, Clutch, Fits Diahatsu & Kubota	1
7	R812907	812907	Use R882339	
7	R882339	882339	R&R Pressure Plate, Clutch, Fits 18 & 22 HP OMC Only	1
7A	R888564	888564	R&R Pressure Plate, Clutch, Fits Diahatsu & Kubota	1
8	R812908	812908	Use R882134	
8	R882134	882134	R&R Throwout Bearing, Fits 18 & 22 HP OMC Only	1
8A	R888348	888348	R&R Throwout Bearing, Fits Diahatsu & Kubota	1
9	R814430	814430	R&R Fuel Gauge	1
10	R254-79	808088	R&R Cup, Timken	A/R
10	R254-72	814474	R&R Cup, Timken	A/R
11	R111836	111836	R&R Oil Filter	1
11A	R833438	833438	R&R Oil Filter, Diesel	1
12	R882958	882958	Use R886076	
12	R886076	886076	R&R Tachometer	1
12	R887031	887031	R&R Tachometer, Fits 18 & 22 H.P. w/Electronic Ignition	1
13	R808060	808060	R&R Needle Bearing, 4 Wheel	2
14	R510613	510613	R&R Condenser	1
15	R580394	580394	R&R Point Set, Engine	1
16	R111960	111960	R&R Spark Plug, Champion F11Y3 (Fits 18 H.P.)	2
16	RH12	830931	R&R Spark Plug, Champion RV15YC (Fits 22 H.P.)	2
17	RT5		R&R Tune Up Kit 1 ea. R510613 & R580394 & 2 ea. R111960 (Fits 18 H.P.)	1
17	RT6		R&R Tune Up Kit 1 ea. R510613 & R580394 & 2 ea. RH12 (Fits 22 H.P.)	1
18	R816864	816864	R&R Belt, Alternator	1
19	R816874	816874	R&R Amp Meter	1
21	R817103	817103	R&R Spring, Throttle, 3 Wheel, 18 H.P.	1
22	R805376	805376	R&R Spring, Clutch, 3 Wheel, 18 H.P.	1
24	R821814	821814	Use R825619	
24	R825619	825619	R&R Fuel Filter, 18 H.P.	1
25	R826284	826284	R&R Universal Joint	A/R
26	R113745	113745	R&R Plug Wire, Short, 18 H.P.	1
26	R113746	113746	R&R Plug Wire, Long, 18 H.P.	1
28	R882716	882716	R&R Ignition Switch, 1" Thread, 18 H.P.	1
28	R886780	886780	R&R Ignition Switch, 3/4" Thread, 18 H.P.	1

Replaces Cushman Truckster Parts

ItemNo	R&R PartNo	O.E.M PartNo	Description	Req. Qty
29	R885776	885776	R&R Nelson Muffler, New Style, 18 H.P.	1
31	R817425	817425	R&R Throttle Control, 3 Wheel, 18 H.P.	1
32	R111316	111316	R&R Air Cleaner Element, 18 H.P.	1
33	R33-1300	832537	R&R Air Cleaner Element, 22 H.P.	1
34	R816066	816066	R&R Governor Control Cable, 18 H.P.	1
35	R814065	814065	R&R Choke Control, 18 H.P.	1
35	R819538	819538	R&R Choke Control, 22 H.P.	1
36	R700185		R&R Tire 8.00 x 6, 4 Ply Rib, Titan	1
36	R700186		R&R Tube, 8.00 x 6	1
37	R700135		R&R Tire, 18-9.50 x 8, 6 Ply, Titan Turf Trac	1
				3 or more
37	R815474	815474	R&R Wheel with Valve Stem	1
37	R815474T	R&R Only	R&R Wheel & Tire Assy. Dico Turf Trac, 6 Ply	1
38	R817891	817891	R&R Bearing, King Pin	2
39	R813688	813688	R&R Muffler Clamp, 1 1/8"	4
40	R232-24	814687	R&R Valve Stem with Cap	3
41	R886369	886369	R&R Battery Cable, Positive	1
42	R886347	886347	R&R Battery Cable, Negative	1
43	R893191	893191	R&R Starter	1
43	R884982	884982	Use R893191	



ItemNo	R&R PartNo	O.E.M PartNo	Description	Req. Qty
1	R883141	883141	R&R Pad Assy., Parking Brake	1
2	R883140	883140	Use R884079	
2	R884079	884079	R&R Pad Assy., Parking Brake	1
3	R876324	876324	R&R Brake Shoe	4
4	R882125	882125	R&R Backrest Cushion, Complete	1
5	R882124	882124	R&R Bottom Seat Cushion, Complete	1
6	R823089	823089	R&R Spring, Brake, 18 H.P.	1

Replaces Cushman Truckster Parts

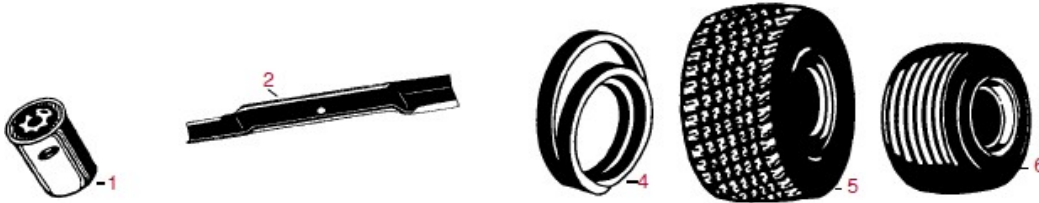
ItemNo	R&R PartNo	O.E.M PartNo	Description	Req.Qty
7	R160440	160440	R&R Gasket Kit, Engine (18 & 22 H.P.)	1
			Includes required qty of the following below.	
7	R111715	111715	R&R Cylinder Gasket	2
7	R111716	111716	R&R Valve Cover Gasket	2
7	R111726	111726	R&R Oil Strainer Cover Gasket	1
7	R111745	111745	R&R Oil Drain Block Gasket	2
7	R111748	111748	R&R O-Ring, Oil Drain Tube	4
7	R111751	111751	R&R O-Ring, Push Rod Housing	8
7	R111761	111761	R&R Manifold Gasket	4
7	R111764	111764	R&R O-Ring, Oil Supply Tube Assy.	2
7	R111767	111767	R&R Car bu re tor Mounting Gasket	1
7	R111769	111769	R&R Timer Gasket	1
7	R111771	111771	R&R Timer Gasket	1
7	R111773	111773	R&R Oil Filler Body Gasket	1
7	R111775	111775	R&R Oil Pump Cover Gasket	1
7	R111779	111779	R&R Fuel Pump Gasket	2
7	R111783	111783	R&R Pres. Rel. Screw Gasket	1
7	R111784	111784	R&R Oil Filler Cap Gasket	1
7	R111792	111792	R&R Pres. Rel. Valve Housing Gasket	1
7	R111828	111828	R&R Nut Gasket	4
7	R111834	111834	R&R Breather Housing Gasket	1
7	R111838	111838	R&R O-Ring, Oil Supply Tube Assy.	2
7	R111877	111877	R&R Air Cleaner Gasket	1
7	R111878	111878	R&R Air Cleaner Adapter Gasket	1

Replaces Cushman GA60 Parts



ItemNo	R&R PartNo	O.E.M PartNo	Description
1	R834973	834973	R&R Closed Spoon 3/4" 7/8" 24 5-1/2"
1	R201408	R&R Only	R&R Closed Spoon 5/8" 7/8" 24 5-1/2"
2	R201409	201409	R&R Solid Tine 7/16" 7/8" 24 5-1/2"
2	R201418	R&R Only	R&R Solid Tine 5/8" 7/8" 24 5-1/2"
2	R201419	R&R Only	R&R Solid Tine 3/4" 7/8" 24 5-1/2"
3	R201457	R&R Only	R&R Slicing Knife Tine 3/4" x .160 3/4" 24 5-1/2"
4	R201620	R&R Only	R&R Shatter Tine, Alloy Steel 5/8"cross 3/4" 24 5-1/2"
4	R201621	R&R Only	R&R Shatter Tine, Alloy Steel 5/8"cross 7/8" 24 5-1/2"

Replaces Cushman 60 & 72 Parts



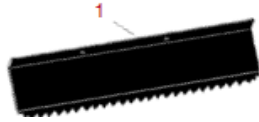
ItemNo	R&R PartNo	O.E.M PartNo	Description	Req.Qty
1	R111836	111836	R&R Oil Filter	
2	R600661	R&R Only	R&R Blade, 60" Deck, Std. .164" x 21"	
4	R600660	827183	R&R Belt, 72" Deck Long	
4	R600665	827184	R&R Belt, 72" Deck Short/Ser.#A0013313 & Prior	
4	R600655	828188	R&R Belt, 60" Deck	
4	R828451	828451	R&R Belt, 72" Deck Short/Ser. #A0013313 & Up	
5	R700180		R&R 23 -8.50 x12, 4 Ply Tire,	
			Dico Turf Trac	3 or more
6	R700190		R&R 16 - 6.50 x 8, 4 Ply Tire,	
			Dico, Rib	3 or more

Replaces Core Master Parts



ItemNo	R&R PartNo	O.E.M PartNo	Description	HoleSize	Mount Dia	Length
1	R201348		R&R Hollow Tine	1/2"	.730	4-3/8"
1	R201348U	New! R&R Only	R&R Hollow Tine, Ultra	1/2"	.730	4-3/8"
1	R201290		R&R Hollow Tine	5/8"	.826	4-1/2"
2	R800650		R&R Side Eject Tine, Alloy Steel	1/4"	.375	3-1/2"
2	R800650U	New! R&R Only	R&R Side Eject Tine, Ultra	1/4"	3/8"	3-1/2"
3	R201420		R&R Solid Tine	3/8"	.375	3-1/2"
4	R201425		R&R Solid Tine	1/4"	.730	3-3/8"
4	R201426		R&R Solid Tine	5/16"	.730	4-3/8"
4	R201427		R&R Solid Tine	3/8"	.730	4-3/8"
4	R201428		R&R Solid Tine	1/2"	.730	4-3/8"
5	R800651		R&R Side Eject Tine, Alloy Steel	1/4"	.730	4"
5	R201630	R&R Only	R&R Side Eject Tine, Alloy Steel	1/2"	.375	3-1/2"
5	R201630U	New! R&R Only	R&R Side Eject Tine, Ultra	1/2"	3/8"	3-1/2"
5	R201631	R&R Only	R&R Side Eject Tine, Alloy Steel	5/8"	.375	3-1/2"
5	R201631U	New! R&R Only	R&R Side Eject Tine, Ultra	5/8"	3/8"	3-1/2"
5	R201632	R&R Only	R&R Side Eject Tine, Alloy Steel	1/2"	.375	4-1/2"
5	R201632U	New! R&R Only	R&R Side Eject Tine, Ultra	1/2"	3/8"	4-1/2"
5	R201633	R&R Only R&R S	5/8"	.375	4-1/2"	
5	R201633U	New! R&R Only R	5/8"	3/8"	4-1/2"	
6	R201548		R&R Shatter Tine, Alloy Steel	3/8" cross	.730	4-3/8"
6	R201565		R&R Shatter Tine, Alloy Steel	1/2" cross	.730	4-3/8"

Replaces Cushman Sand Trap Rake Parts



ItemNo	R&R PartNo	O.E.M PartNo	Description	Req.Qty
1	R837927	837927	R&R Drag Rake	



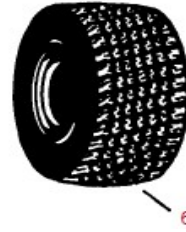
Replaces Diahatsu Hijet Tires



ItemNo	R&R PartNo	O.E.M PartNo	Description	Req.Qty
1	R700183		R&R Tire, 20-8.00 x 10 4 Ply Turf Trac Titan	3 or more
1	R700184		R&R Tube, 20-8.00 x 10	



Replaces Excel Hustler Parts



ItemNo	R&R PartNo	O.E.M PartNo	Description	Req.Qty
1	R015651	015651	R&R Blade Cutter (3/8" hole), 24"	
1	R084160	084160	R&R Blade, Cutter (1/2" hole), 24"	
2	R048223	048223	R&R Spindle Shaft	
2	R076877	076877	R&R Spindle Shaft, 72" Standard Deck & 3 way	
2	R712364	712364	Use R076877	
3	R251-206	077123	R&R Bearing, Spindle	
4	R10-8010		R&R Hyd., Wheel Motor (Ross-TRW) MAB16003-A4	
4	R054544	054544	R&R Hyd., Wheel Motor (Ross-TRW) MAB24003-A1	
5	R900100	084178	R&R Double Angle V-Belt, 72" 3 Way Deck	
5	R025577	025577	R&R Deck Belt, Double Angle Model #440	
6	R700180		R&R Tire, 23-8.50 x 12, 4 Ply Titan Turf Trac	3 or more
6	R700181		R&R Tire, 23-10.50 x 12, 4 Ply Titan Turf Trac	3 or more

