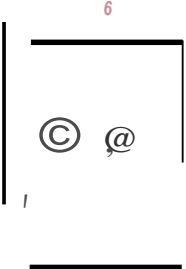
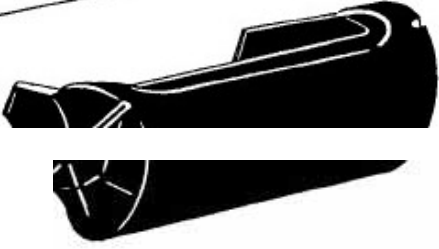
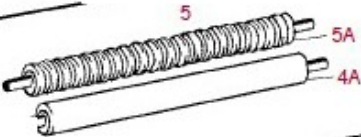
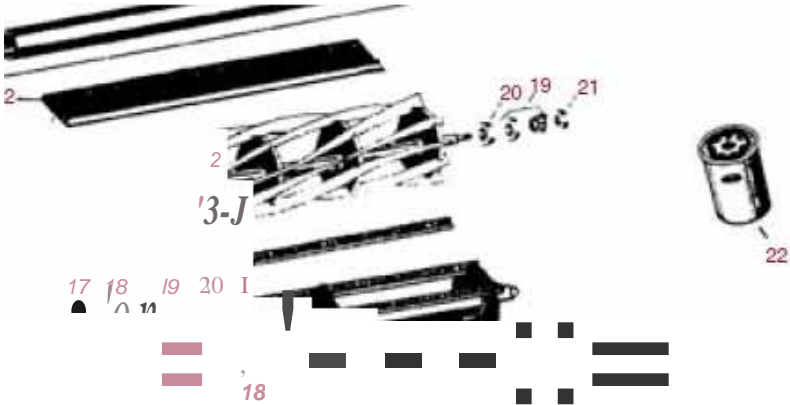


Rep/aces Lesco a00& S00 Parts



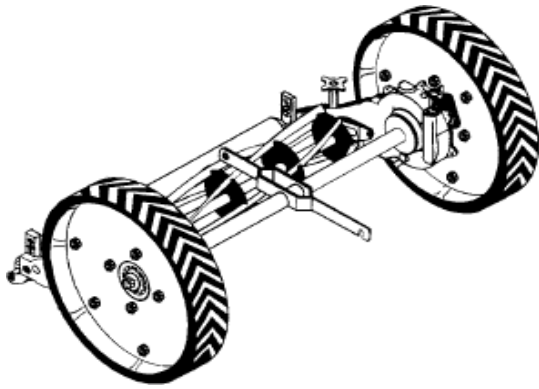
Service Tools
Bearing Pullers
& Mandrels



Replaces Lesco 300 & 500 Parts

ItemNo	R&R PartNo	O.E.M PartNo	Description	Req. Qty
R&R Reels Available, Lifetime Guaranteed				
1	R502871	020800	R&R Reel, 9 Blade, Fits 300	1
1	R502871H	R&R Only	R&R Reel, 9 Blade Heavy Duty, Fits 300	1
1	R506517		R&R Reel, 5 Blade Heavy Duty, Fits 300	1
1	R012543	012543	R&R Reel, 6 Blade, Fits 300	1
1	R018594	018594	R&R Reel, 8 Blade Heavy Duty, Fits 500	1
1A	R101488	R&R Only	R&R Brush Reel	1
1B	R150481	R&R Only	R&R Brush w/Frame, Brush Reel	4
R&R Bedknives Available, Lifetime Guaranteed				
2	R101259	025531	R&R Bedknife, Super Thin 3/32"	1
2	R101260	025517	R&R Bedknife, Thin 1/8"	1
2	R101261	025504	R&R Bedknife, Thick 3/16"	1
2	R101262		R&R Bedknife, Super Thick 5/16"	1
R&R Rollers Available Dia. Wgt.				
3	R158777	008466	R&R Rear Solid Roller 2" 6 lbs	1
3A	R101335	R&R Only	R&R Rear UHMW Plastic Solid Roller Assy 2" 7 lbs	1
4	R158776	008465	R&R Front Solid Roller 2" 6 lbs	1
4A	R101336	R&R Only	R&R Front UHMW Plastic Solid Roller 2" 7 lbs	1
5	R68527R	008485	R&R Repairable Grooved Roller Assy. 2" 9 lbs	1
5A	R101330	R&R Only	R&R Front UHMW Plastic Grooved Roller 2" 7 lbs	1
R&R Overhaul Kits Available				
6	R100130		R&R Roller Overhaul Kit	
			Includes Bearings & Seals to rebuild One Roller:	
			2 ea.: R302-5, R303558, R305115	
Other Parts Available				
8	R303558	R&R Only	R&R Bearing, Fits R&R Roller Only	2
8	R008474	008474	R&R Bearing, Fits Lesco Roller Only	2
9	R305115	R&R Only	R&R Seal, Fits R&R Roller Only	2
9	R008475	008475	R&R Seal, Fits Lesco Roller Only	2
10	R302-5	060078	R&R Grease Fitting	2
11	R345470	12494	R&R Bolt, Rear Roller	2
13	R101272	003094	R&R Screw, Bedknife	13
13A	R101272T		R&R Driver Tool, Bedknife Screw	1
14	R102030	008482	R&R Shaft, Front Roller	1
15	R154909	008464	R&R Shaft Assy., Rear Roller	1
16	R36-7250**	025491	R&R Grass Basket	1
17	R337370	012089	R&R Splined Coupling, Reel	1
17	R3001720New!	R&R Only	R&R Splined Coupling, Reel, Steel	1
18	R458013	011896	R&R Retaining Ring, 3/4"	1
19	R500534	010710	R&R Bearing & Cup, Reel	2
20	R336962	008476	R&R Seal, Reel	2
21	R335435	008477	R&R Seal, Reel Housing	1
22	R74-3570	012628	R&R Filter, Hyd. 10 Micron	1
23	R150650	R&R Only	R&R 2" Threaded Roller End	2
24	R150651	R&R Only	R&R Spacer, Repairable Grooved Roller	A/R
25	R150652	R&R Only	R&R Washer, Repairable Grooved Roller	A/R
26	R150654	R&R Only	R&R Threaded Tube	1
27	R150690	R&R Only	R&R Nyloc Set Screw, 1/4"-20 x 1/4"	4
28	R150425	R&R Only	R&R Bolt, 8-32 x 5/8 Hex Hd.	12
29	R150426	R&R Only	R&R Washer, 8-32	12
30	R3296-9	R&R Only	R&R Locknut, 8-32	12
31	R012419	012419	R&R Roll Pin 1/8 x 3/4	2

Replacement Cutting Units



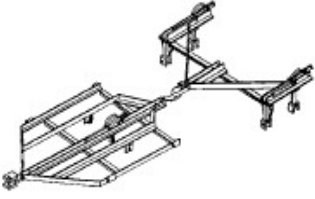
R101205

R&R Cutting Unit Complete with:
 6 Blade Heavy Duty Reel
 Single Lip Bed Knife
 Regreasable Solid Rear Roller
 20" Semi-Pneumatic Wheels

ItemNo	Description
Reels Available	
R502676	R&R 5 Blade Reel
R502671	R&R 6 Blade Reel
R502672	R&R 8 Blade Reel
R502675	R&R 10 Blade Reel
Bedknives Available	
R101250	R&R Single Lip Bedknife, 1/2"
R101250L	R&R Single Lip Bedknife, Low Cut, 7/16"
R101251	R&R Double Lip Bedknife, 1/2"
Rollers Available	
R700500G	R&R 3" Regreasable Solid Roller
R009225	R&R 3" Oil Filled Solid Roller
R026599	R&R 3-1/2" Regreasable Solid Roller
Wheels Available	
	R&R 17" Steel Wheels
	R&R 18" Steel Wheels
R020159	R&R 17" Semi-Pneumatic Wheels
R009213	R&R 20" Semi-Pneumatic Wheels

Replacement Cutting Units

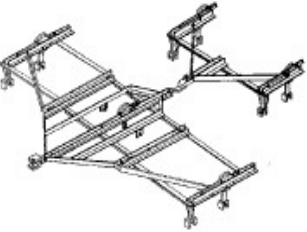
3 GANG FRAME ASSEMBLY



R020120

Complete R&R 3 Gang Frame Assy.

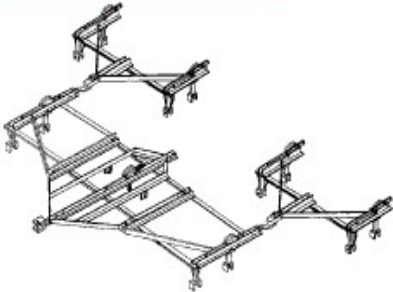
5 GANG FRAME ASSEMBLY



R005729

Complete R&R 5 Gang Frame Assy.

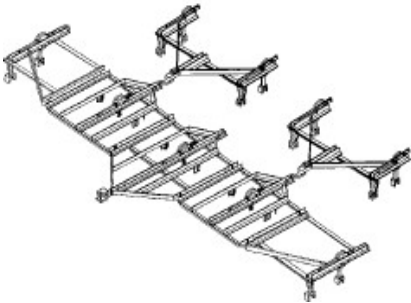
7 GANG FRAME ASSEMBLY



R007226

Complete R&R 7 Gang Frame Assy.

9 GANG FRAME ASSEMBLY

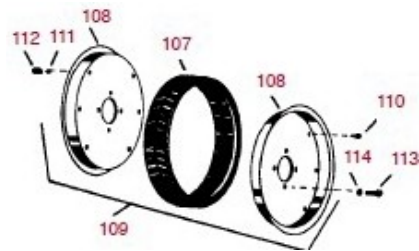
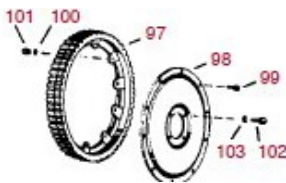
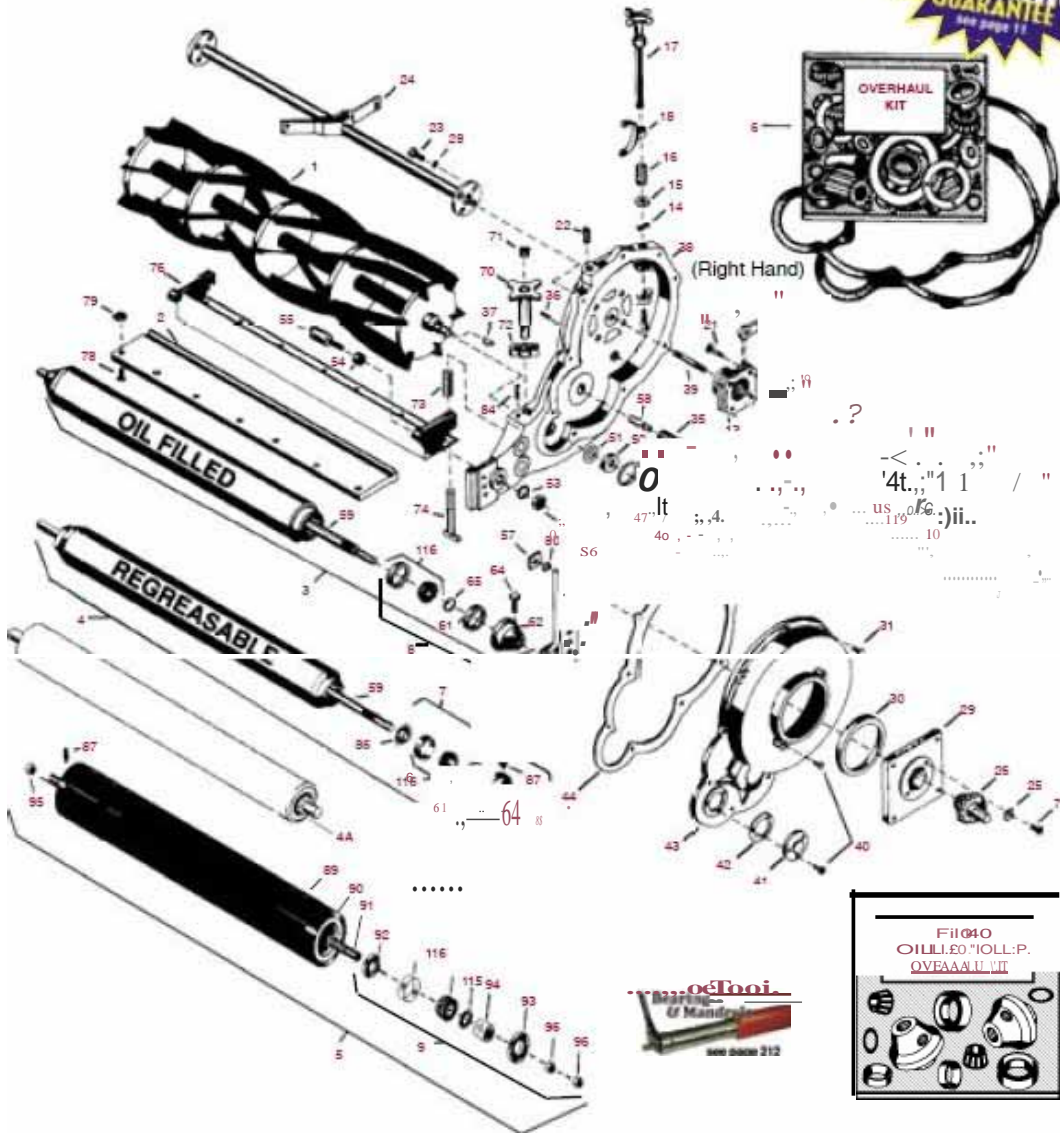


R012676

Complete R&R 9 Gang Frame Assy.

Replaces Lesco Fairway Parts

**LIFETIME
Reel &
Bedknife
GUARANTEE**
SEE PAGE 11



Replaces Lesco Fairway Parts

ItemNo	R&R PartNo	O.E.M PartNo	Description	Req. Qty
R&R Reels Available, Lifetime Guaranteed				
1	R011150	11150	R&R Reel, 6 Blade-8" Dia.	1
1	R502672	R&R Only	R&R Reel, 8 Blade-8" Dia.	1
1	R012619	12619	R&R Reel, 10 Blade-8" Dia.	1
1	R502676	12618	R&R Reel, 5 Blade- 8" Dia.	1
R&R Bedknives Available, Lifetime Guaranteed				
2	R101250	2819	R&R Single Lip Bedknife-1/2" H.O.C.	1
2	R101250L	R&R Only	R&R Single Lip Bedknife, Low Cut-7/16 H.O.C.	1
2	R101251	R&R Only	R&R Double Lip Bedknife-1/2" H.O.C.	1
R&R Rollers Available Dia. Wgt.				
3	R009225	9225	R&R Solid Roller 3" 19 lbs	1
4	R700500G	R&R Only	R&R Regreasable Roller Assy. 3" 18 lbs	1
4A	R101390New!	R&R Only	R&R UHMW Plastic Solid Roller 3" 13 lbs	1
5	R026599	26599	R&R Solid Roller Assy. 3-1/2" 25 lbs	1
R&R Overhaul Kits Available				
6	R500600	R&R Cutting Unit Overhaul Kit, for units with 3" Dia. Rollers		
		Includes: Bearings, Gaskets, Seals, Etc. for One Cutting Unit		
		2 ea.: R3158 2, R315873, R315876, R315928, R315967, R315977, R315978, R328062, R500711, R500533		
		4 ea.: R500534		
		18 ea.: R407706		
6	R009293	R&R Cutting Unit Overhaul Kit, for units with 3 1/2" Dia. Rollers		
		Includes: Bearings, Gaskets, Seals, Etc. for One Cutting Unit		
		2 ea.: R315872, R315873, R315876, R315928, R315967, R315977, R315978, R253-122, R253-117, R500711, R500533		
		4 ea.: R500534		
		18 ea.: R407706		
7	R700505	R&R Oil Filled to Regreasable Roller Conversion Kit		
		Includes: Bearings, Seals, Grease Retainers & Roller Collars to Rebuild One Oil Filled Roller or Regreasable Roller		
		2 ea.: R700501, R500534, R700502, R328062, R412063, R302-5		
8	R100140	R&R Oil Filled Roller Overhaul Kit		
		Includes: Bearings, Seals, Roller Collars, & O-Rings to rebuild one Oil Filled Roller.		
		2 ea.: R500574, R500534, R459007, R328062, R412063		
9	R100165	R&R Solid Roller Overhaul Kit		
		Includes: Bearings, Seals, Wear Sleeves & Nuts to rebuild one Roller.		
		1 ea: R3296-15		
		2 ea: R302-5, R253-122, R154-79, R154-78, R5-4523, R3220-7, R253-117, R47-7510		
Other Parts Available				
10	R445686	3067	R&R Axle Nut, 3/4-16 Castle	2
11	R460028	3107	R&R Cotter Pin 1/8 x1	2
12	R203976	2701	R&R Main Gear, Ductile Iron	2
13	R203975	10322	R&R Wheel, Pawl Carrier	2
14	R460026	10798	R&R Cotter Pin, 1/8 x 3/4	2
15	R315861	2520	R&R Washer	2
16	R316765	2793	R&R Spring, R.H.	1
16	R316766	2806	R&R Spring, L.H.	1
17	R009218	9218	R&R Release Handle	2

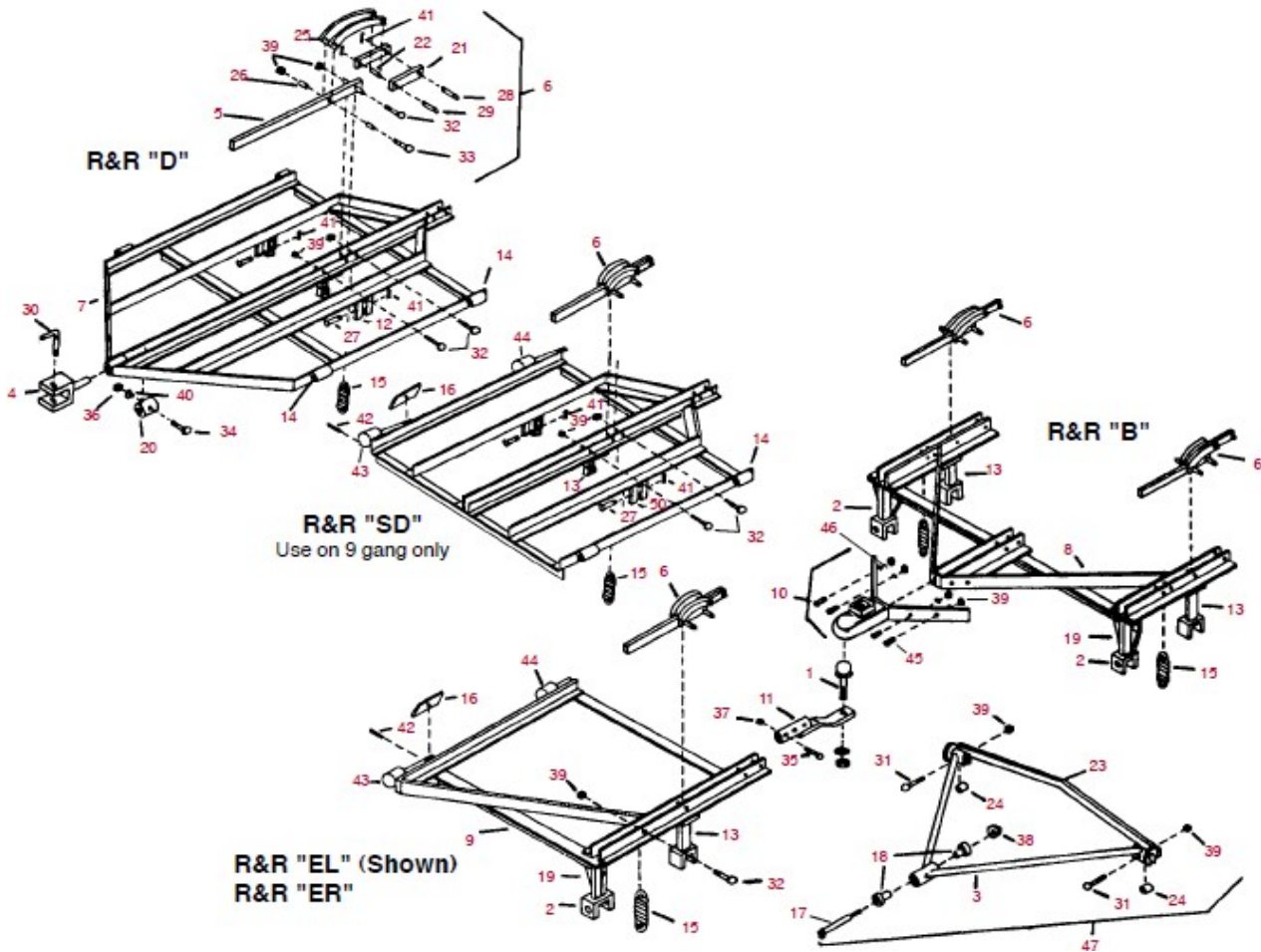
Replaces Lesco Fairway Parts

ItemNo	R&R PartNo	O.E.M PartNo	Description	Req. Qty
18	R203968	006121	R&R Fork, Release	2
19	R204871	002727	R&R Pawl, Main Gear, Ductile Iron	8
20	R460012	003145	R&R Cotter Pin, 3/32 x 3/4	8
21	R315867	002533	R&R Hardened Pin, Pawl	8
22	R472205	002834	R&R 3/8" Plug	2
23	R400406	002924	R&R Bolt, Hex Head 1/2-13 x 1 1/4	8
24	R009215	009215	R&R Axle, Main Fairway	1
25	R327676	002050	R&R Tab, Locking	2
26	R009222	009222	R&R Cap, Hub	2
28	R446154	010734	R&R Lockwasher, 1/2"	8
29	R203984	009223	R&R Hub, Ground Wheel	2
30	R315967	002741	R&R Seal, Cover	2
31	R407706	002976	R&R Screw, Housing Cover	18
32	R302295	002766	R&R Washer, Fwy.	2
33	R331834	002885	R&R Int. Gear, Ductile Iron	2
34	R315978	002767	R&R Sleeve, Roller Bearing	2
35	R315977	002754	R&R Roller Bearing, Int. Gear	2
36	R472203	010818	R&R 1/4" Plug	2
37	R315877	002585	R&R Key, Pinion	4
38	R009216	009216	R&R Gear Housing LH, Incl. #39, 58, 84 & 48	1
38	R009217	009217	R&R Gear Housing RH, Incl. #39, 58, 84 & 48	1
39	R545515	002912	R&R Stud, Ground Wheel	2
40	R408052	017192	R&R Screw, 12-24 x 1/2 Binding Head	10
41	R009224	009224	R&R Cap, Cover	2
42	R315876	002572	R&R Gasket, Insp. Plate	2
43	R009228	009228	R&R Cover, Housing	2
44	R315928	002663	R&R Cover Gasket	2
45	R444742	008928	R&R Nut, Gripco Center Lock 3/4-16	2
46	R315843	002494	R&R Pinion Gear	2
47&48	R500711	011001	R&R Bearing & Cup, Reel, Timken	2
47	R315914		R&R Cone, Reel, Timken	2
48	R302755		R&R Cup, Reel, Timken	2
49	R315910	010393	R&R Spacer, R.H. Side Only	1
50	R315872	002546	R&R Seal, Reel	2
51	R315873	008290	R&R Washer, Seal	2
52	R443828	003015	R&R Nut, 5/8-18 Hex	2
53	R447224	003106	R&R Internal Star, Lockwasher, 5/8"	2
54&55	R500264		R&R Stud & Bushing, Bedknife Backing	2
54	R545723	002637	R&R Bushing, Backing Stud	2
55	R315909	002611	R&R Stud, Bedknife Backing	2
56	R400266	011075	R&R Bolt, Hex Head 3/8-16 x 1 1/2	2
57	R444510	010799	R&R Nut, 3/8-16 Sq.	2
58	R315851	002507	R&R Int. Stud	2
59	R328058	002833	R&R Shaft, Roller	1
61	R328062	002859	R&R Seal, Roller	2
62	R500574	002846	R&R Roller Collar, Hardened	2
64	R412063	010757	R&R Screw, Sq. Hd. Set	2
65	R459007	003132	R&R O-Ring, Roller	2
66	R009219	009219	R&R Bracket, Roller LH, Incl 67, 68 & 69	1
66	R009220	009220	R&R Bracket, Roller RH (Shown) Incl 67, 68 & 69	1
67	R412003	010874	R&R Screw, 1/2-13 x 1 1/2 Sq. Head	2
68	R446154	010873	R&R Lockwasher, 1/2 Heavy	2
69	R443818	010778	R&R Nut, 1/2-13 Hex Jam	2
70	R009221	009221	R&R Adjusting Handle	2
71	R312794	002481	R&R Plug, Adjusting Handle	2

Replaces Lesco Fairway Parts

ItemNo	R&R PartNo	O.E.M PartNo	Description	Req. Qty
72	R315964	002702	R&R Spring, Friction	2
73	R315966	002728	R&R Adjusting Spring	2
73	R315844		R&R Adjusting Spring (Special Worn Reel)	2
74	R315965	002715	R&R Adjusting Screw, Fwy.	2
76	R009211	009211	R&R Backing, Bedknife, Incl. #54	1
77	R400106	002898	R&R Bolt, Hex Head 1/4-20 x 5/8	2
78	R101270	002963	R&R Screw, Bedknife	7
79	R101271	003080	R&R Nut, Bedknife	7
80	R3254-6	010777	R&R Lockwasher, 3/8"	2
84	R461406	003171	R&R Roll Pin	2
85	R700501	R&R Only	R&R Regreasable Roller End, Hardened	2
86	R700502	R&R Only	R&R Grease Retainer	2
87	R302-5	R&R Only	R&R Grease Fitting 1/4-28	2
88	R500236	002860	R&R Cylinder, Wheel	
			with 1 R500533 & R500534	2
89	R5-3940	006612	R&R Tube Only, 3 1/2" O.D.	1
90	R4-5659	006586	R&R End Plug, Roller	2
91	R026597	026597	R&R Shaft, 3 1/2" O.D. Roller	1
92	R253-122	005255	R&R Seal, Inner, 3 1/2" O.D. Roller	2
93	R253-117	005268	R&R Seal, Outer, 3 1/2" O.D. Roller, Triple Lip	2
94	R5-4523	006625	R&R Sleeve, 3 1/2" O.D. Roller	2
95	R3296-15	006716	R&R Locknut, 3/4-16, 3 1/2" O.D. Roller	1
96	R3220-7	010328	R&R Jam Nut, 3/4-16, 3 1/2" O.D. Roller	2
97	R012620	012620	R&R 18" Wheel, Rim 18" O.D.	2
97	R009203	009203	R&R 17" Wheel, Rim 17" O.D.	2
98	R006445	006445	R&R 18" Disc. 17" O.D. Use With R012620	2
98	R009205	009205	R&R 17" Disc. 15 1/2" O.D. Use With R009203	2
99	R400226	011074	R&R Bolt, 5/16-24 x 1"	20
100	R310266	010734	R&R Flat Washer	20
101	R444754	011076	R&R Locknut, 5/16"	20
102	R400436	002950	R&R Bolt, 1/2-20 x 7/8"	8
103	R446154	010734	R&R Lockwasher, 1/2"	8
106	R700132		R&R Tube, 4.80 x 12	2
107	R316482	010406	R&R 4 x 20 Tire, 20" O.D.	2
107	R344137	010563	R&R 4 x 17 Tire, 17" O.D.	2
108	R020158	020158	R&R 17 Disc Half, 14" O.D. w/R344137	4
108	R009212	009212	R&R 20 Disc Half, 17" O.D. w/R316482	4
109	R020159	020159	R&R 4 x 17 Wheel Assy, Set of 2	1
109	R009213	009213	R&R 4 x 20 Wheel Assy, Set of 2	1
110	R400258	011078	R&R Bolt, 3/8 -16 x 3/4"	12
111	R3254-6	010719	R&R Lockwasher, 3/8"	12
112	R443110	011087	R&R Nut, 3/8 - 16	12
113	R400438	010644	R&R Bolt, 1/2-20 x 1"	8
114	R446154	010734	R&R Lockwasher, 1/2"	8
115	R47-7510	R&R Only	R&R Nylon Washer	2
116	R500534	010710	R&R Bearing & Cup, Roller, Timken	4
117	R500533	R&R Only	R&R Bearing, Cup & Ring, Timken	2
118	R311957	R&R Only	R&R Nilos Ring	2
119	R453022	003119	R&R Washer, 3/4 SAE	2

Replaces Lesco Fairway Frame Parts



ItemNo	R&R PartNo	O.E.M PartNo	Description
B	R012363	012363	R&R "B" Frame Assy. includes 1 each of item 1,8,10,11 & 47; 2 each of items 15,35,37
EL	R012358	012358	R&R "EL" Frame Assy. includes 1 each of items 6,9,15 & 47
ER	R012357	012357	R&R "ER" Frame Assy. includes 1 each of items 6,9,13,15 & 47
D	R012339	012339	R&R "D" Frame Assy. includes 1 ea. of items 4,6,7,15,20,30,32, 34,36,39, & 40; 2 ea. of items 27 & 41
SD	R012366	012366	R&R Special "D" R.H. Frame Assy. includes 1 each of items 6, 15,32,39,48; 2 each of items 27 & 41
SD	R012307	012307	R&R Special "D" L.H. Frame Assy. includes 1 each of items 6, 15,32,39,49; 2 each of items 27 & 41
Complete Frame Assemblies			
	R020120		3 Gang Unit Incl: 1-R012363 & 1-R012339
	R005729		5 Gang Unit Incl: 1-R012363, 1-R012358, 1-R012357 & 1-R012339
	R007226		7 Gang Unit Incl: 2-R012363, 1-R012358, 1-R012357 & 1-R012339
	R012676		9 Gang Unit Incl: 2-R012363, 1-R012358, 1-R012357, 1-R012339, 1-R012366 & 1-R012307

Replaces Lesco Fairway Frame Parts

ItemNo	R&R PartNo	O.E.M PartNo	Description
1	R110466	005929	R&R Ball Hitch Assy.
2	R110467	012343	R&R Post-Pull, for Yoke
3	R012772	012772	R&R Yoke-Pull
4	R012336	012336	R&R Jaw and Stem
5	R110536G	R&R Only	R&R Handle
6	R012330	012330	R&R Latch Assy., Over Center
7	R116494G	R&R Only	R&R Frame "D" Incl. 12, 13 & 14
8	R119061G	R&R Only	R&R Frame "B" Incl. 2, 13 & 19
9	R126096G	R&R Only	R&R Frame "E", Right Incl. 2, 13, 16, 19, 42-44
9	R126097G	R&R Only	R&R Frame "E", Left Incl. 2, 13, 16, 19, 42-44
10	R129925	R&R Only	R&R Hitch (Includes Hardware)
11	R153005G	R&R Only	R&R Extension, Hitch
12	R153249	012766	R&R Post, Pull, Fits "D"
13	R012303	012303	R&R Post, Unit "Weldment"
14	R012312	012312	R&R Hinge, Side
15	R316724	006752	R&R Spring, Unit Tension
16	R317008G	R&R Only	R&R Latch, Hinge
17	R318005	005774	R&R Bolt
18	R318006	005264	R&R Bushing, Rubber
19	R318970	R&R Only	R&R Plate, Pull Post Support
20	R318979	R&R Only	R&R Collar
21	R318983G	R&R Only	R&R Link, Over Center Latch
22	R318985	R&R Only	R&R Spacer, Over Center Latch
23	R318993G	012773	R&R Brace, Pull Yoke
24	R318994	012311	R&R Spacer, Yoke Jaw
25	R319051G	R&R Only	R&R Lift Link, Over Center Latch
26	R319053	R&R Only	R&R Spacer, Over Center Latch
27	R325390	006610	R&R Pin, Rod End
28	R325539	R&R Only	R&R Pin, Over Center Latch
29	R325540	R&R Only	R&R Pin, Over Center Latch
30	R360341	002489	R&R Pin, Coupling
31	R400310	005751	R&R Bolt
32	R400312	R&R Only	R&R Bolt
33	R400314	R&R Only	R&R Bolt 3/8-24 x 3 1/2
34	R400346	R&R Only	R&R Bolt, 7/16-14 x 2 1/2
35	R325-14	005754	R&R Bolt, 1/2-13 x 3 1/2
36	R443114	R&R Only	R&R Nut, 7/16 Hex
37	R443118	005755	R&R Nut, 1/2-13
38	R444730	005770	R&R Nut, 7/16-20 Hex
39	R444744	005753	R&R Nut, 3/8-24 Hex
40	R446146	R&R Only	R&R Lockwasher, 7/16 Med.
41	R460028	003107	R&R Pin, Cotter, 1/8 x 1
42	R461416	R&R Only	R&R Roll Pin
43	R502757	012351	R&R Hinge, Front, Incl. #16 & 42
44	R502758	012355	R&R Hinge, Rear
45	R400296	R&R Only	R&R Bolt, 3/8-24 x 7/8
46	R3254-6	R&R Only	R&R Lockwasher, 3/8
47	R012319	012319	R&R Pull Yoke Assy. Incl
			1 each #3,17,23, & 38
			2 each #18,24,31, & 39
48	R119058G	R&R Only	R&R Special "D" R.H. Frame Incl: 2 ea. 14,50 & 1 ea. 16,42-44Only
49	R119059G	R&R Only	R&R Special "D" L.H. Frame Incl: 2 ea. 14,50 & 1 ea. 16,42-44 Only (Shown)
50	R153248	R&R Only	R&R Post, Pull, Fits Special "D" Frame Only
51	R510690		R&R Bolt, Carriage 3/8-16 x 1 w/Locknu