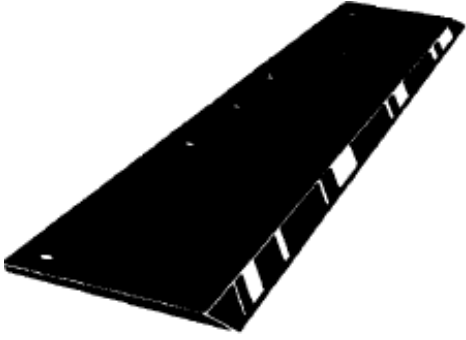


Replaces Ryan Sod Cutter Parts



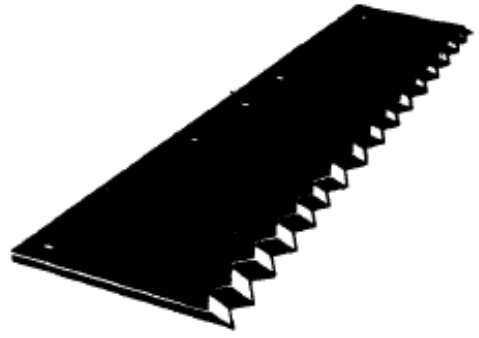
ItemNo	R&R PartNo	O.E.M PartNo	Description	Req.Qty
1	R250356	R&R Only	R&R 12" Sod Cutter Blade, 1/4" x 2 1/2"	
1	R250359	R&R Only	R&R 15" Sod Cutter Blade, 1/4" x 2 1/2"	
1	R250358	R&R Only	R&R 16" Sod Cutter Blade, 1/4" x 2 1/2"	
1	R250353	R&R Only	R&R 18" Sod Cutter Blade, 1/4" x 2 1/2"	
	R548082	548082	R&R Bearing, Fits V1	
	R548092	548092	R&R Bearing, Fits Jr. & V2	
	R548093	548093	R&R Bearing, Fits Jr. V1 & V2	
	R548421	548421	R&R Belt, Fits Jr. Machine	
	R548438	548438	R&R Belt, Single for Briggs Engine	
	R548521	548521	R&R Belt, Matched for Briggs Engine	
	R548525	548525	R&R Belt, Matched for Wis. Engine	
	R548608	548608	R&R Belt, Matched 24" Machine	
2	R250394		R&R Bolt with Locknut 5/16 -24 x 1 GR8	
3	R516061	516061	R&R Cutter Blade Arm, Fits Jr.	
	R521438	521438	R&R Seal, Side Arm	
	R548138	548138	R&R Bearing, Needle	
	R521436	521436	R&R Bearing	

Replaces Ryan Cutt-Off Parts



STRAIGHT

R&R PartNo	Description
R250380	12" Sod Cutter
R250382	15" Sod Cutter
R250384	16" Sod Cutter
R250385	18" Sod Cutter
R250386	24" Sod Cutter

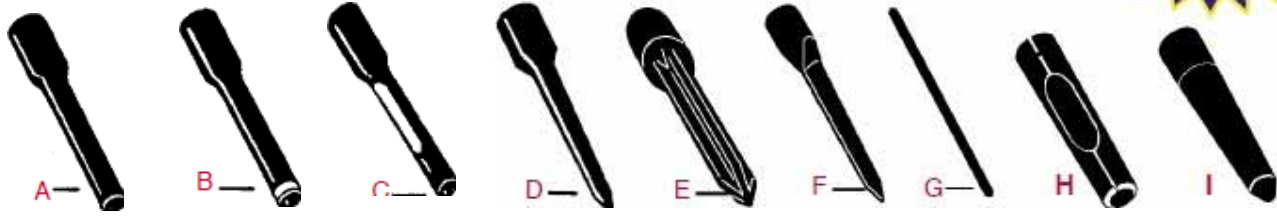


SERRATED

R&R PartNo	Description
R201380	12" Sod Cutter
R201382	15" Sod Cutter
R201384	16" Sod Cutter
R201385	18" Sod Cutter
R201386	24" Sod Cutter

**Due to excessive air freight charges, sod cutter blades are shipped ground freight only

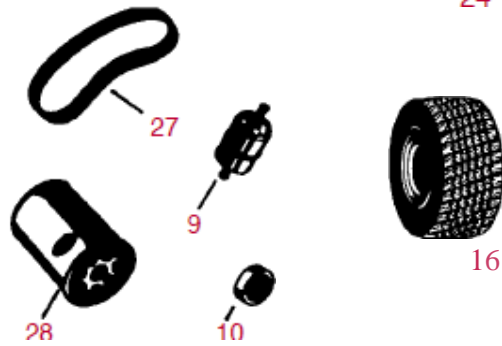
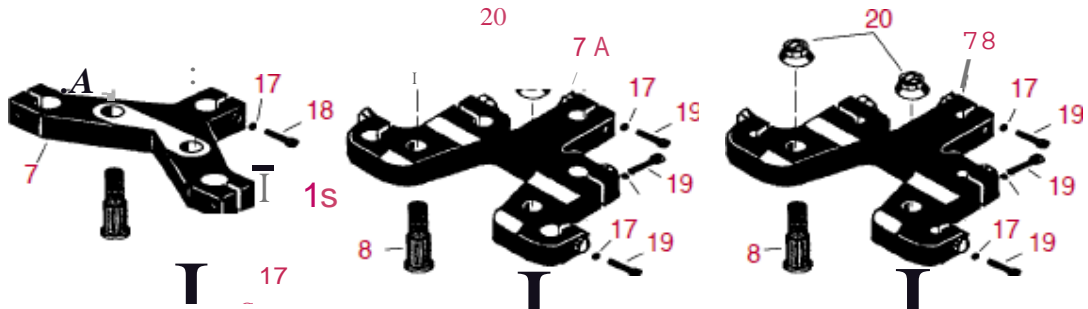
see page 13



R&R LIFETIME GUARANTEED TINES

All **R&R** Tines go through a special "Super Strength" heat treating process.
All **R&R** Tines are guaranteed against defects in material and workmanship under normal use for the life on the tine

20



FOR REPLACEMENT GAGO PARTS SEE CUSHMAN GAGO

Replaces Ryan GA30 Parts

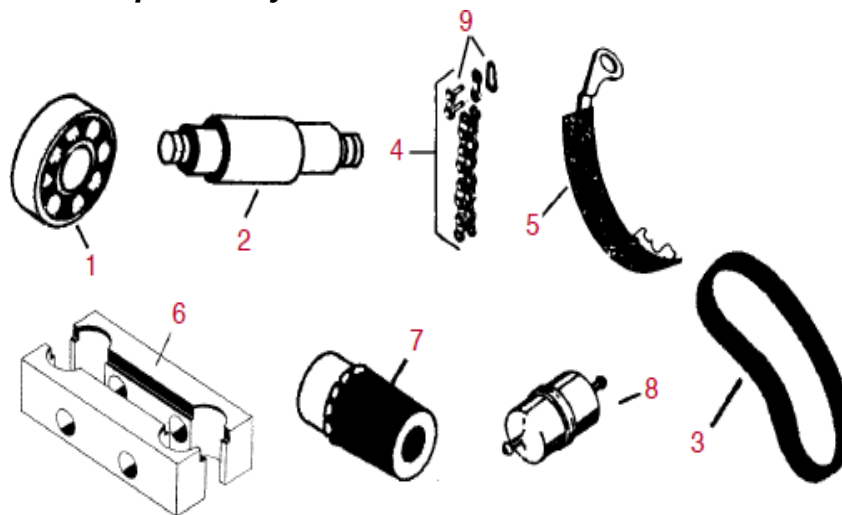
ItemNo	R&R PartNo	Description	Req.Qty
G	R201422	Needle Tine (5mm) .196 .196 3-1/2"	20
G	R201423	Needle Tine (5mm) .196 .196 4-3/4"	20
C	R523864	Hollow Tine, Side Eject, Alloy Steel 1/4" 1/2" 4"	20
C	R201519	Side Eject Tine, Alloy Steel 1/4" 1/2" 4-1/2"	20
C	R201519U ^{New}	Side Eject Tine, Ultra 1/4" 1/2" 4-1/2"	20
D	R523863	Solid Tine 1/4" 1/2" 5"	20
D	R201334	Solid Tine 1/4" 1/2" 2-1/2"	20
E	R201546	Shatter Tine, Alloy Steel 3/8" Cross 1/2" 4-5/8"	20
E	R201555	Shatter Tine, Alloy Steel 1/2" Cross 1/2" 4-5/8"	20
C	R201634	Side Eject Tine, Alloy Steel 1/2" 1/2" 3-1/2"	20
C	R201634U ^{New}	Side Eject Tine, Ultra 1/2" 1/2" 3-1/2"	20
C	R201636	Side Eject Tine, Alloy Steel 1/2" 1/2" 4-1/2"	20
C	R201636U ^{New}	Side Eject Tine, Ultra 1/2" 1/2" 4-1/2"	20
C	R201638	Side Eject Tine, Alloy Steel 1/2" 1/2" 5-1/2"	20
C	R201635	Side Eject Tine, Alloy Steel 5/8" 1/2" 3-1/2"	20
C	R201635U ^{New}	Side Eject Tine, Ultra 5/8" 1/2" 3-1/2"	20
C	R201520U ^{New}	Side Eject Tine, Ultra 1/4" 5/8" 4"	12
D	R201413	Solid Tine 5/16" 5/8" 5-1/2"	12
A	R523275	Hollow Tine 3/8" 5/8" 5-1/2"	12
D	R201412	Solid Tine 3/8" 5/8" 5-1/2"	12
E	R201547	Shatter Tine, Alloy Steel 3/8" Cross 5/8" 4-5/8"	12
A	R523274	Hollow Tine 1/2" 5/8" 5-1/2"	12
D	R201411	Solid Tine 1/2" 5/8" 5-1/2"	12
E	R201560	Shatter Tine 1/2" Cross 5/8" 4-5/8"	12
E	R201619	Shatter Tine, Alloy Steel 5/8" 5/8" 5-1/2"	12
C	R201637	Side Eject Tine, Alloy Steel 5/8" 5/8" 4-1/2"	12
C	R201637U ^{New}	Side Eject Tine, Ultra 5/8" 5/8" 4-1/2"	12
C	R201521	Hollow Tine, Side Eject Alloy 1/4" 3/4" 4"	12
C	R201521U ^{New}	Side Eject Tine, Ultra 1/4" 3/4" 4"	12
D	R201400	Solid Tine 1/4" 3/4" 4-3/4"	12
D	R201414	Solid Tine 5/16" 3/4" 5-1/2"	12
A	R59-3690	Hollow Tine 3/8" 3/4" 4-3/4"	12
D	R201415	Solid Tine 3/8" 3/4" 5-1/2"	12
C	R201535	Side Eject Tine, Alloy Steel 3/8" 3/4" 5-1/2"	12
C	R201535U ^{New}	Side Eject Tine, Ultra 3/8" 3/4" 5-1/2"	12
E	R201549	Shatter Tine, Alloy Steel 3/8" cross 3/4" 4-3/4"	12
A	R523472	Hollow Tine 1/2" 3/4" 5-1/2"	12
A	R201586	Hollow Tine, Alloy Steel 1/2" 3/4" 5-1/2"	12
A	R201586U ^{New}	Hollow Tine, Ultra 1/2" 3/4" 5-1/2"	12
B	R201440	Hollow Tine, Carbide Tipped 1/2" 3/4" 5-1/2"	12
D	R201416	Solid Tine 1/2" 3/4" 5-1/2"	12
C	R201536	Side Eject Tine, Alloy Steel 1/2" 3/4" 5-1/2"	12
C	R201536U ^{New}	Side Eject Tine, Ultra 1/2" 3/4" 5-1/2"	12
E	R201570	Shatter Tine, Alloy Steel 1/2" cross 3/4" 4-3/4"	12
A	R201410	Hollow Tine 5/8" 3/4" 5-1/2"	12
A	R201587	Hollow Tine, Alloy Steel 5/8" 3/4" 5-1/2"	12
A	R201587U ^{New}	Hollow Tine, Ultra 5/8" 3/4" 5-1/2"	12
A	R201442	Hollow Tine, Heavy Duty .062 Wall 5/8" 3/4" 5-1/2"	12
B	R201441	Hollow Tine, Carbide Tipped 5/8" 3/4" 5-1/2"	12
D	R201417	Solid Tine 5/8" 3/4" 5-1/2"	12
E	R201620	Shatter Tine, Alloy Steel 5/8" cross 3/4" 5-1/2"	12
C	R201537	Side Eject Tine, Alloy Steel 5/8" 3/4" 5-1/2"	12
C	R201537U ^{New}	Side Eject Tine, Ultra 5/8" 3/4" 5-1/2"	12
F	R201457	Slicing Knife, Alloy Steel 3/4" x .160" 3/4" 4-3/4"	12

Replaces Ryan GA30 Parts

ItemNo	R&R PartNo	O.E.M PartNo	Description	Req.Qty
H	R834973 ^{New!}	34973	R&R Closed Spoon 3/4" 7/8" 24 5-1/2"	
H	R201408 ^{New!}	R&R Only	R&R Closed Spoon 5/8" 7/8" 24 5-1/2"	
I	R201409 ^{New!}	201409	R&R Solid Tine 7/16" 7/8" 24 5-1/2"	
I	R201418 ^{New!}	R&R Only	R&R Solid Tine 5/8" 7/8" 24 5-1/2"	
I	R201419 ^{New}	R&R Only	R&R Solid Tine 3/4" 7/8" 24 5-1/2"	
E	R201621 ^{New!}	R&R Only	R&R Shatter Tine, Alloy Steel 5/8" cross 7/8" 24 5-1/2"	

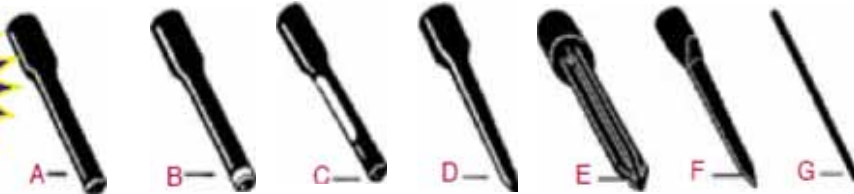
ItemNo	R&R PartNo	O.E.M PartNo	Description	Req.Qty
7	R547600	547702	R&R 3 Tine Holder, 3/4" Tine Mounting Dia., Incl. #8	4
7	R547601	547601	R&R 3 Tine Holder, 5/8" Tine Mounting Dia., Incl. #8	4
7	R547639 ^{New!}	547639	R&R 3 Tine Holder, 7/8" Tine Mounting Dia., Incl. #8	4
7A	R547848	547848	R&R 5 Tine Holder, 1/2" Tine Mounting Dia., Incl. #8	4
7B	R201429	R&R Only	R&R 5 Tine Holder, Fits Needle Tines Only	4
8	R547601S	819804	R&R Stud, Tine Holder, 1/2" - 20	8
8	R547600S		R&R Stud, Tine Holder, 7/16" - 20	8
9	R821814	821814	Use R825619	
9	R825619	825619	R&R Fuel Filter	1
10	R358672	523127	R&R Bearing	A/R
10	R832498	832498	R&R Bearing	A/R
10	R832499	832499	R&R Bearing	A/R
11	R886001	886001	R&R Seal Kit, Cylinder	1
12	R547613	547613	R&R Brake Lining, (Set of 2 with Rivits)	2
13	R523292	523292	Use R830815	
13	R830815	830815	R&R Choke Control	1
14	R523097	523097	R&R Chain	2
15	R522857	522857	R&R Pivot Pin	4
16	R390836		R&R Tire, 24-13 x 12, 4 Ply Dico Turf Trac	2
17	R306325	306325	R&R Lockwasher, 5/16"	A/R
18	R550098	550098	R&R Bolt, 5/16 - 18 x 1 1/4	A/R
19	R322-5	306416	R&R Bolt, 5/16 - 18 x 1	A/R
20	R32128-31		R&R Flanged Locknut, 1/2-20	A/R
21	R800527	800527	R&R Rivet, Brake Lining	6
22	R523026	523026	R&R 4 Finger Turf Hold Down use with 3 Tine Holder	1
23	R523027	523027	R&R 3 Finger Turf Hold Down use with 3 Tine Holder	3
24	R524192	524192	R&R 5 Finger Turf Hold Down use with 5 Tine Holder	3
25	R524193	524193	R&R 6 Finger Turf Hold Down use with 5 Tine Holder	1
26	R879945		R&R Starter Solenoid	1
27	R522887	522887	R&R Drive Belt, 2V	1
28	R23-9740	522972	R&R Hyd. Oil Filter	1

Replaces Ryan GA30-06 Parts

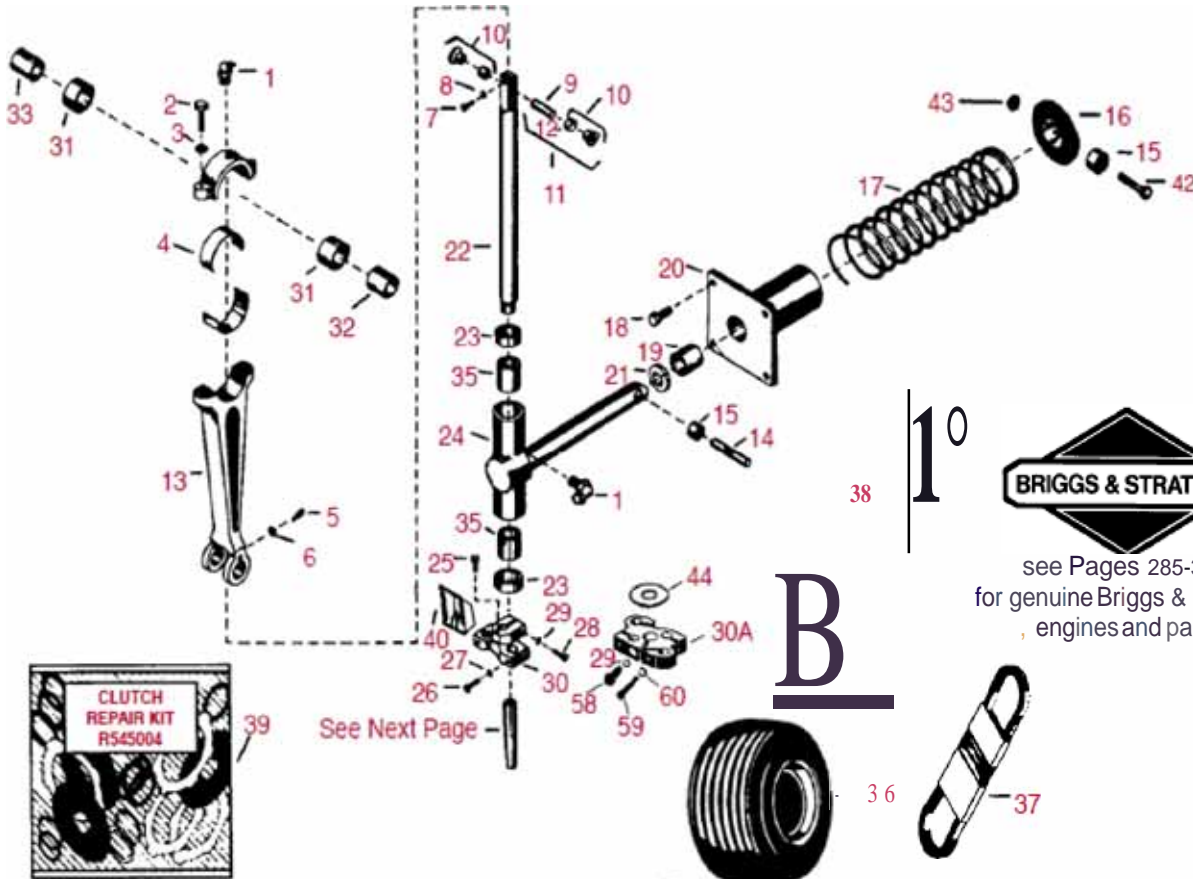


ItemNo	R&R PartNo	O.E.M PartNo	Description	Req.Qty
1	R523535	523535	R&R Ball Bearing, Connecting Rod	8
1	R523533	523533	R&R Ball Bearing, Crankshaft	4
1	R523534	523534	R&R Ball Bearing, Crank Support	4
1	R832499	832499	R&R Bearing, Connecting Rod	8
2	R523545	523545	R&R Pivot Pin, Old Style Model 9110 & 9210	8
2	R524053	524053	R&R Pivot Pin, New Style Model 544882-1 & Up	8
3	R523557	523557	R&R Belt, Drive	1
4	R523542	523542	R&R Chain, Drive	3
5	R876324	887284	R&R Brake Shoe	4
6	R523547	523547	R&R Tine Holder, 1" Mounting Dia.	4
7	R33-1300	832537	R&R Element, Air Filter	1
8	R821814	821814	Use R825619	
8	R825619	825619	R&R Fuel Filter	1
9	R522123	522123	R&R Connecting Link	1

Rep/aces Ryan Greensaire II & WG-24 Parts



**ULTRA TINE
18 Hole
GUARANTEE**
see page 13



See Next Page



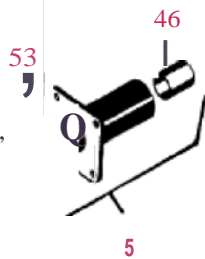
see Pages 285-307
for genuine Briggs & Stratton
engines and parts

B

**REPLACES RYAN "NEWSTYLE"
SLIDE AND GWDE ASSEMBLY PARTS**

**REPLACES RYAN 24 TINE
HOLDER ASSEMBLY PARTS**

- 1 - 49 50 46,
- 8 - 47

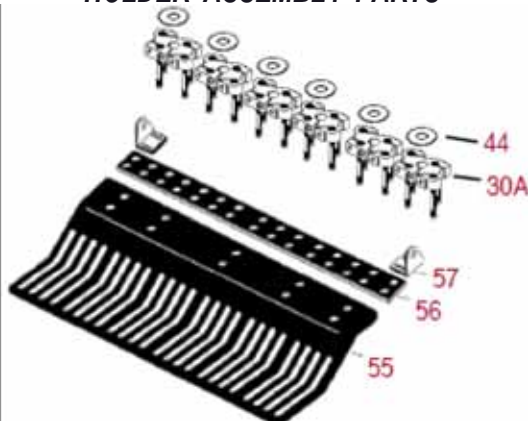


4851
tf54

- 1 - 52
- 6 - 47
- 1 - 49

LUBRICATION FREE

R & R Products new reengineered R201100 slide assemblies (Replaces Ryan Part #545978) are manufactured with special triple layered composite linings. The use of these bushings eliminates the need for lubrication and insures against oil leakage on tine surfaces. R&R also uses triple lipped seals and induction hardened hard chrome plated shafts for added life.



24 TINE HOLDER ASSEMBLY

R201300 R&R 24Tine Holder Assembly Kit
Includes: 6 Line Holders, 6 Washers, 2 Brackets,
1 Mounting Plate, & 1 Tine Hold-down

Individual Parts also available in listing

Replaces Ryan Greensaire II & WG-24 Parts

ItemNo	R&R PartNo	Description	Req.Qty
G	R201422	Needle Tine (5mm) .196 .196 3-1/2"	
G	R201423	Needle Tine (5mm) .196 .196 4-3/4"	
	R201519U ^{New}	Side Eject Tine, Ultra 1/4" 1/2" 4-1/2"	20
C	R523864	Hollow Tine, Side Eject, Alloy Steel 1/4" 1/2" 4"	24
D	R523863	Solid Tine 1/4" 1/2" 5"	24
D	R201334	Overseeding Solid Tine 1/4" 1/2" 2-1/2"	24
C	R201519	Hollow Tine, Side Eject, Alloy Steel 1/4" 1/2" 4-1/2"	24
D	R201330	Solid Tine 5/16" 1/2" 5"	24
E	R201546	Shatter Tine, Alloy Steel 3/8" cross 1/2" 4-5/8"	24
E	R201555	Shatter Tine, Alloy Steel 1/2" cross 1/2" 4-5/8"	24
C	R201634	Side Eject Tine, Alloy Steel 1/2" 1/2" 3-1/2"	24
C	R201634U ^{New}	Side Eject Tine, Ultra 1/2" 1/2" 3-1/2"	20
C	R201636	Side Eject Tine, Alloy Steel 1/2" 1/2" 4-1/2"	24
C	R201636U ^{New}	Side Eject Tine, Ultra 1/2" 1/2" 4-1/2"	20
C	R201635	Side Eject Tine, Alloy Steel 5/8" 1/2" 3-1/2"	24
C	R201635U ^{New}	Side Eject Tine, Ultra 5/8" 1/2" 3-1/2"	20
A	R201335	Hollow Tine 1/4" 5/8" 4-1/2"	12
C	R201520	Hollow Tine, Side Eject, Alloy Steel 1/4" 5/8" 4"	12
C	R201520U ^{New}	Side Eject Tine, Ultra 1/4" 5/8" 4"	12
D	R201349	Solid Tine 1/4" 5/8" 4-1/2"	12
D	R201341	Solid Tine 5/16 5/8" 4-1/2"	12
A	R201336	Hollow Tine 3/8" 5/8" 4-1/2"	12
D	R201344	Solid Tine 3/8" 5/8" 4-1/2"	12
E	R201547	Shatter Tine, Alloy Steel 3/8" cross 5/8" 4-5/8"	24
A	R201337	Hollow Tine 1/2" 5/8" 4-1/2"	12
A	R201581	Hollow Tine, Alloy Steel 1/2" 5/8" 4-1/2"	12
A	R201581U ^{New}	Hollow Tine, Ultra 1/2" 5/8" 4-1/2"	12
B	R201340	HollowTine, Carbide Tipped 1/2" 5/8" 4-1/2"	12
D	R201345	Solid Tine 1/2" 5/8" 4-1/2"	12
E	R201560	Shatter Tine, Alloy Steel 1/2" cross 5/8" 4-5/8"	24
F	R201454	Slicing Knife Tine, Alloy Steel 5/8" x .160" 5/8" 4-1/2"	12
C	R201637	Side Eject Tine Alloy Steel 5/8" 5/8" 4-1/2"	12
C	R201637U ^{New}	Side Eject Tine, Ultra 5/8" 5/8" 4-1/2"	12
C	R201521	Hollow Tine, Side Eject, Alloy 1/4" 3/4" 4-1/2"	12
C	R201521U ^{New}	Side Eject Tine, Ultra 1/4" 3/4" 4"	12
D	R201432 ^{New!}	Solid Tine 5/16" 3/4" 4-3/8"	12
C	R201523	Hollow Tine, Side Eject, Alloy 3/8" 3/4" 4-3/4"	12
C	R201523U ^{New}	Side Eject Tine, Ultra 3/8" 3/4" 4-3/4"	12
D	R201433 ^{New!}	Solid Tine 3/8" 3/4" 4-3/8"	12
E	R201549	Shatter Tine, Alloy 3/8" cross 3/4" 4-5/8"	12
C	R201524	Hollow Tine, Side Eject, Alloy 1/2" 3/4" 4-3/4"	12
C	R201524U ^{New}	Side Eject Tine, Ultra 1/2" 3/4" 4-3/4"	12
D	R201434 ^{New!}	Solid Tine 1/2" 3/4" 4-3/8"	12
E	R201570	Shatter Tine, Alloy Steel 1/2" cross 3/4" 4-5/8"	12
C	R201525	Hollow Tine, Side Eject, Alloy 5/8" 3/4" 4-3/4"	12
C	R201525U ^{New}	Side Eject Tine, Ultra 5/8" 3/4" 4-3/4"	12
A	R201338	Hollow Tine 5/8" 3/4" 4-1/2"	12
A	R201582	Hollow Tine, Alloy Steel 5/8" 3/4" 4-1/2"	12
A	R201582U ^{New}	Hollow Tine, Ultra 5/8" 3/4" 4-1/2"	12
B	R201339	HollowTine, Carbide Tipped 5/8" 3/4" 4-1/2"	12
D	R201346	Solid Tine 5/8" 3/4" 4-1/2"	12
E	R201620	Shatter Tine, Alloy Steel 5/8" cross 3/4" 4-5/8"	12
F	R201455	Slicing Knife Tine, Alloy Steel 3/4" x .160" 3/4" 4-1/2"	12

Replaces Ryan Greensaire II & WG-24 Parts

ItemNo	R&R PartNo	G.A. II Part No.	WG-24 Part No.	Description	Req.Qty
1	R548229	548229		R&R Fitting, Grease	12
2	R306835	306835	B42	R&R Bolt, 3/8 - 16 x 1 1/4	12
2	R548001	548001		Use R306835	
3	R120177	120177	LW4	R&R Lockwasher, 3/8	12
4	R548308			Use R545306	
4	R545306		SBG1	R&R Insert, Two Halves	4
4	R545306	545306		R&R Insert, Two Halves	6
5	R316796	316796	B147	R&R Bolt, 1/4 -20 x 1	12
6	R548181	548181	LW7	R&R Lockwasher	12
7	R203023	203023	B95	R&R Bolt, 1/4 -20 x 3/4	6
8	R548181	548181	LW7	R&R Lockwasher	6
9	R517645		1118A5	Use R548811	
9	R548811	548811	1118A5	R&R Pin, Dowel	6
10	R547293	547293		R&R Retainer Assembly with Bearing	12
11	R544446		BG43	R&R Bearing Retainer Assembly	6
				includes 2 Part #R547293 & 1 Part #R548811	
12	R548797	548797		R&R Bearing, Needle	12
13	R544300	544300	1090A5	R&R Rod Assembly;	6
				includes items 1-6 & 13	
13	R544302	544302		Use R544300	6
14	R517531	517531	1078A3	R&R Pin, Slide Assy.	6
15	R548869	548869	BG38	R&R Bearing	6
16	R517731	517731		Use R545643.	
16	R545643	545643		R&R Retainer, Spring	
17	R518503	518503	SP54	R&R Spring	6
18	R548905	548905	B11	R&R Bolt, 3/8 - 16 x 1 Nyloc	24
19	R517729	517729	1153	R&R Bushing, Guide Assembly	12
20	R544102	544102	1152	R&R Guide Assembly, includes:	6
				2 ea. R517729 Bushings &	
				1-R548254 Seal	
21	R522639	548254	OS9	R&R Oil Seal	12
22	R517549	517549	1089A5	Use R522642	
22	R522642	522642		R&R Push Rod, Induction Hardened & Chrome Plated	6
23	R548252	Thin	OS7	R&R Oil Seal Ser. #7173 & under	12
23	R548277		OS32	Use R548274	
23	R548274	548274	OS32	R&R Oil Seal	12
24	R544785	544785	1074A3	R&R Slide Assembly; with 2 each R520526 bushings, R548229 grease fittings & R548274 oil seals	6
25	R548827	548827		R&R Bolt, Nyloc 1/4 -20 x 1/2	6
26	R316797	316797		R&R Bolt, 1/4-20 x 1 1/4	12
27	R548181	548181		R&R Lockwasher, 1/4	12
28	R550098	550098	B27	R&R Bolt, 5/16 - 18 x 1 1/4	6
29	R306325	306325	LW4	R&R Lockwasher, 5/16	6
30	R520532	520532	1070A5	R&R 2 Tine Holder, 5/8" Tine Mounting Dia.	6
30	R520573	520573	1070A5	R&R 2 Tine Holder, 3/4" Tine Mounting Dia.	6
30A	R547849	547849		R&R 4 Tine Holder, 1/2" Tine Mounting Dia.	6
30B	R201424	R&R Only		R&R 4 Tine Holder, Fits Needle Tines Only	6
30B	R201301	R&R Only		R&R 4 Tine Holder, 5/8 Mounting Dia.	6
31	R548128		BG49	R&R Bearing	2

Replaces Ryan Greensaire II & WG-24 Parts

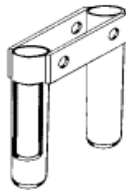
ItemNo	R&R PartNo	G.A. II Part No.	WG-24 Part No.	Description	Req.Qty
31	R548815	548815		R&R Bearing	3
32	R520228	520228		R&R Race, Inner	1
33	R548814	548814		R&R Race, Inner	2
35	R517526		1075A1	R&R Bushing, Slide Assembly 1-1/16" O.D.	12
35	R520526	520526		R&R Bushing, Slide Assembly 1" O.D.	12
36	R548878			R&R Tire, 13-6.50 x 6, 2 Ply Rib	2
36	R548545	1010	WG-1	R&R Tire, 11-4.00 x 5, 2 Ply Rib	2
37	R548925	548925		R&R Belt	1
38	R521452	521452		R&R Chain #50	1
38	R546406		1021WG-2	R&R Chain #40	1
38	R546431		1064A5	R&R Chain #50	1
38	R546434		1064A5	R&R Chain #50 Crank	2
38	R546754	546754		R&R Chain, #40	1
38	R548887	548887		R&R Chain #50	1
38	R548888	548888		Use R521452	
38	R548889	548889		R&R Chain #40	1
38	R548890	548890		R&R Chain #40	1
38	R548891	548891		R&R Chain # 50, Crankshaft	2
38	R4000			R&R Offset Link #40	A/R
39	R545004	545004		R&R Clutch Repair Kit	1
40	R545104	545104		R&R Defl ector incl. R548827	6
41	R548853	548853		R&R Throttle Control	1
42	R800427	800427		R&R Hex Head Bolt, Slide Assy.	6
43	R548911	548911		R&R Flanged Whiz Nut, Slide Assy.	6
44	R523249	523249		R&R Flat Washer	6
45	R545956	545956		R&R Guide Assy., Incl 2 ea. #46 & 1 ea. #50	6
46	R522637	522637		R&R Bushing, Guide Assy., Triple Layered Composite	12
47	R522636	522636		R&R Bushing, Slide Assy., Triple Layered Composite	12
48	R306959	306959		R&R Plug, Shaft End	6
49	R522640	522640		R&R Seal, Slide Assy., Triple Lip	12
50	R522639	522639		R&R Seal, Guide Assy., Triple Lip	12
51	R522641	522641		R&R Felt Plug, Slide Assy., (not used on R&R Slide)	6
52	R517692	517692		R&R Felt Pad, Slide Assy., (not used on R&R Slide)	12
53	R548905	548905		R&R Bolt, 3/8 - 16 x 1 Nyloc	24
54	R545978	548978		Use R201100	
54	R201100	R&R Only		R&R Lubrication Free Slide Assy. Complete with Induction Hardened & Hard Chrome plated shaft , Incl. items #47-49	6
55	R524196	524196		R&R Turf Hold-down, use only with 4 Tine Holders	1
55	R201302	R&R Only		R&R Turf Hold-down, use with 4 Tine Holder with 5/8" Tines	1
56	R520326	520326		R&R Mounting Plate, Turf Hold-down	1
57	R524014	524014		R&R Bracket	2
58	R330748	330748		R&R Bolt, Socket Head, 5/16-18 x 1	1
59	R800694	800694		R&R Bolt, Hex Head, 5/16-18 x 2 1/2	2
60	R122140	122140		R&R Lockwasher, 5/16"	2

Replaces Ryan Renovaire-Tracaire Parts



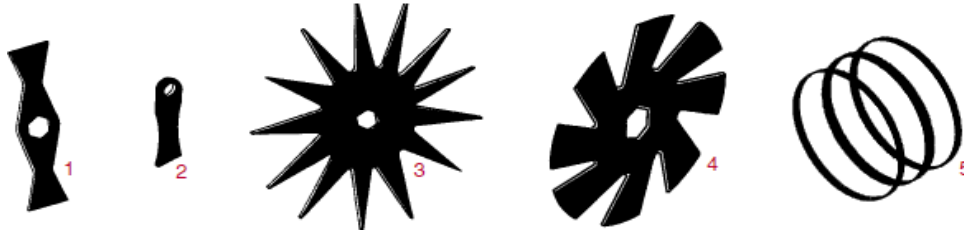
ItemNo	R&R PartNo	O.E.M PartNo	Description	Req.Qty
1	R201310	515196	R&R 1/2" Closed Spoon	96
2	R201320	545366	R&R 1/2" Open Spoon	96
1	R201311	515197	R&R 3/4" Closed Spoon	96
2	R201321		R&R 3/4" Open Spoon	96
			Tech Note: All above spoons 7-1/2" long with 5/16 mounting hole	
3	R201312	515191	R&R Renovating Tine	96
5	R201313	515193	R&R 4" Slicing Knife	96
4	R201314	515194	R&R 6" Slicing Knife	96
			Tech Note: All above knives mounting holes 2-1/2" on center	
6	R515198	515198	R&R Clamp, Spoon	96
7	R306836	306836	R&R Bolt	192
8	R548804	548804	R&R Flanged Locknut	192
	R231-3	548590	R&R Tire 4.80 x 8, 4 Ply T.T. Ind. Stud	2
			Goodyear	3 or more
	R232-3		R&R 4.80 x 8 Tube	2
	R254-78	385174	R&R Bearing, Wheel	4
	R254-79	808088	R&R Cup, Wheel	4
	R548256	548256	R&R Seal, Aerating Wheel	24

Replaces Ryan Lawnaire 28 Parts



ItemNo	R&R PartNo	O.E.M PartNo	Description	Req.Qty
	R547709	547709	Use R201106	
	R201106	R&R Only	R&R Tine Assy., 3/4", Side Ejection	4
			Heat Treated Aircraft Alloy Steel	
	R832498	832498	R&R Bearing, Link Arm	
	R358672	523127	R&R Bearing, Crankshaft	

Replaces Ryan Mataway, Ren-O-Thin & Spike-Aire Parts



ItemNo	R&R PartNo	O.E.M PartNo	Description	Req.Qty
1	R201323	516901	R&R Mataway Straight 1/32	
1	R201324	516898	R&R Mataway Straight 1/8	
1	R201325	516900	R&R Mataway Straight 1/16	
1	R201326	516899	R&R Mataway Offset 1/16	
			Tech Note: 7-1/4" Long, 1" Hex mounting hole (all above mataways)	
2	R201327	516897	R&R Ren-o-thin Flail 1/8	
3	R201328	516920	R&R Spiker Blade, 13 Point	
			Tech Note: 10" diameter, 1" Hex mounting hole, 12ga (.104) thick	
4	R523293	523293	R&R Spiker Blade, 8 Point	
5	R547759	547759	R&R Drive Belts (Matched Set of 3), Fits Mataway	

Replaces Ryan Lawnaire IV Parts



ItemNo	R&R PartNo	O.E.M PartNo	Description	Req.Qty
1	R522361	522361	R&R 3/4" Closed Spoon, 14 GA.	